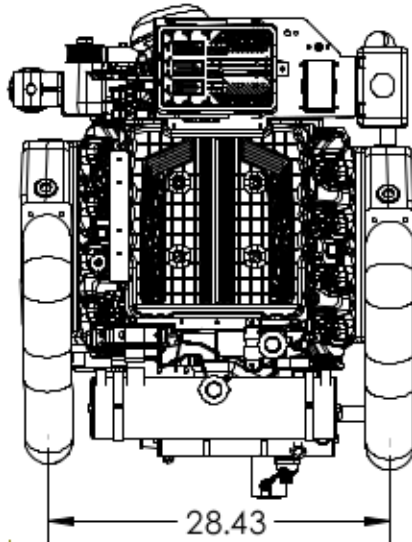
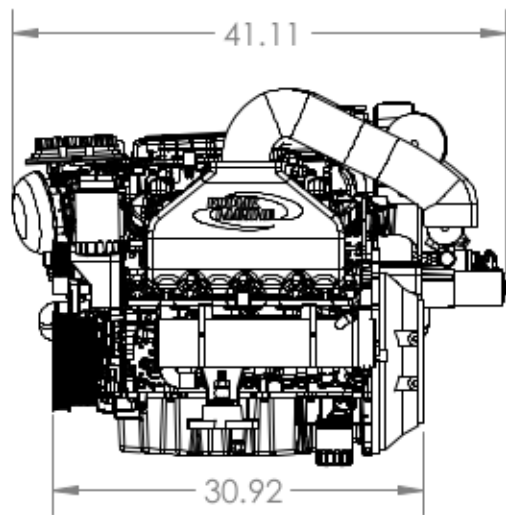
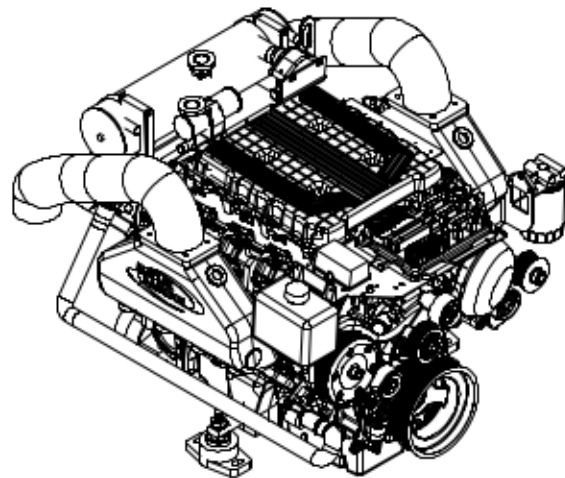


6.00
5.50

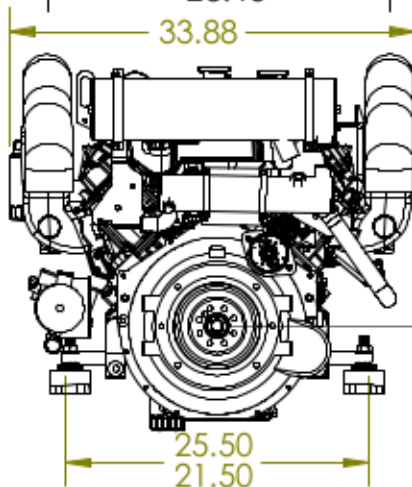


28.43



41.11

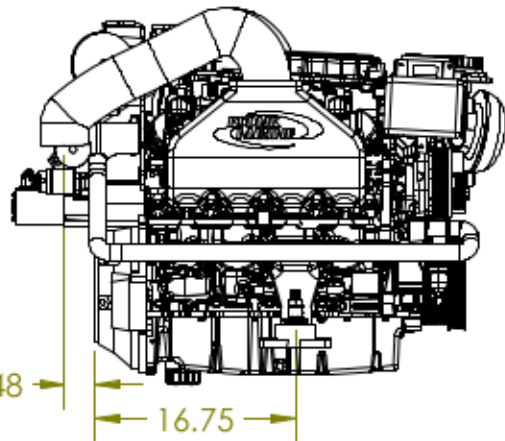
30.92



33.88

11.18

25.50
21.50



2.48

16.75